

PS12DC4C Power Adapter User Manual

Product Introduction

Please make sure that the model you use is our 12V 5A,60W, 4 Channels Power Adapter, The Conversion efficiency of this model is more than 85%, with output over-current protection, short circuit protection, lowest ripple, output voltage constant etc. and this power supply's advantage is with convenient installation and wiring, good appearance and 4 channels outputs, what is more, it's output voltage is adjustable.

Technical Parameter

Model	PS12DC4C
Input Voltage	96-264Vca 47-63Hz
Input Current	1.5A
Load loss	0.5W
Adjustable voltage	11-15 Vcc
Output current	5.0A
Output Power	60W
Output ripple	120mV

Working Environment

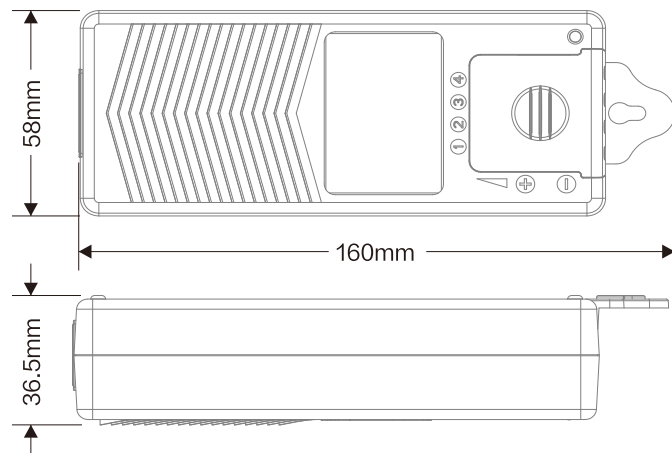
Working Temperature:-10-45℃
Working Humidity:20-90%RH,No condensation

Storage Temperature:-20-85℃
Storage Humidity:10-95%RH

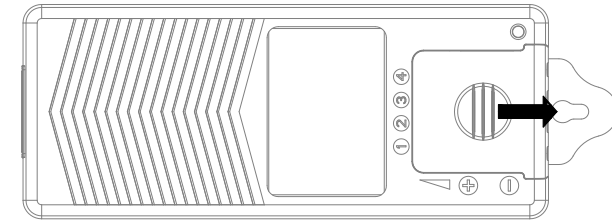
Shape Performance

1. Size:L160mm*W58mm*H36.5mm
- 2.Input:USA Plug
- 3.Output: 4 PCS screw connectors

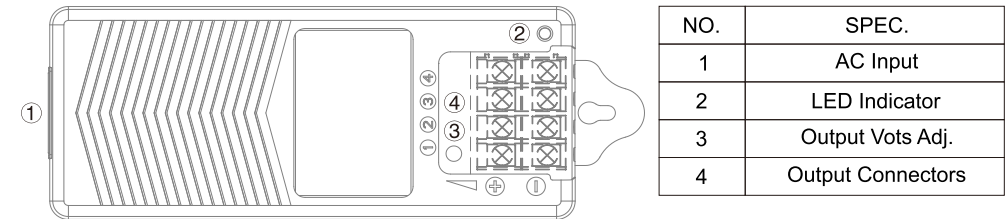
Details



The Mounting Diagram



Connecting Diagram



Attention

- 1.Please make sure that input and output wire is correct in order to avoid damage device, before use.
- 2.After connecting electricity, please make sure that output LED indicator is on, if not, please check the wiring connecting is wrong.
- 3.During using, if this model is not available for your equipment required power, please let us know in time, we will provide the available model.
- 4.This product is line with IEC-IP65, And try to install in ventilated place.

Product Picture

