

1080P HDMI over IP Extender

HDIP120



User Manual



Introduction

Overview

The 1080P HDMI over IP Extender set can extend HDMI signals from a source device to one or multiple displays through a Cat 5a/6 cable up to 120 meters. It is ideal for home and offices.

Features

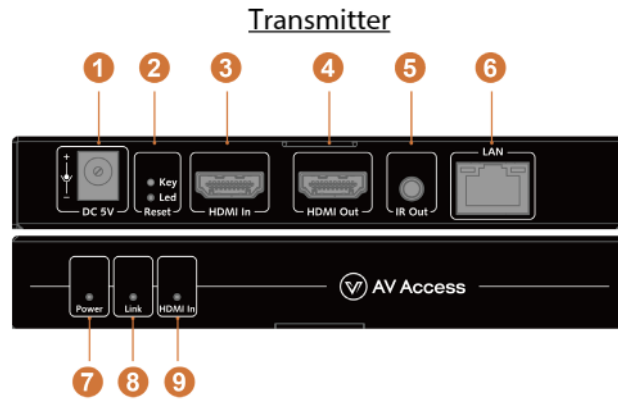
- Transmits 1080P HDMI signals up to 120 meters through a Cat 5e/6 cable.
- Distributes HDMI input signal from one transmitter to up to 10 receivers.
- HDMI loop-out on the transmitter to connect to a local display, allows easy monitoring of the source signal.
- IR extension allows you to control the source device from a remote location.

Package Contents

Before you start the installation of the product, please check the package contents:

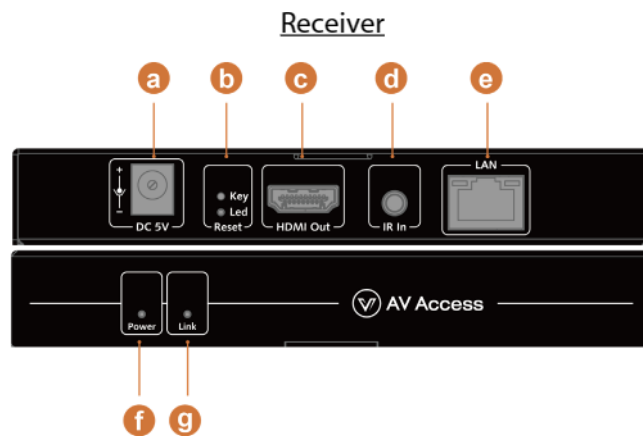
- Transmitter x 1
- Receiver x 1
- Power Adapters (DC 5V/1A) x 2
- IR Emitter x 1
- Broadband IR Receiver (30-50KHz) x 1
- Mounting Brackets (with Screws) x 4
- User Manual x 1

Panel



Features and Ports

1. Power input port | 2. Reset Key and Led | 3. HDMI In port | 4. HDMI Out port | 5. IR Out port | 6. LAN port | 7. Power Led | 8. Link Led | 9. HDMI In Led



Features and Ports

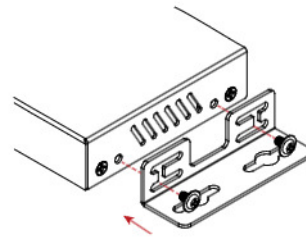
a. Power input port | b. Reset Key and Led | c. HDMI Out port | d. IR In port | e. LAN port | f. Power Led | g. Link Led

Installation and Application

Bracket Installation

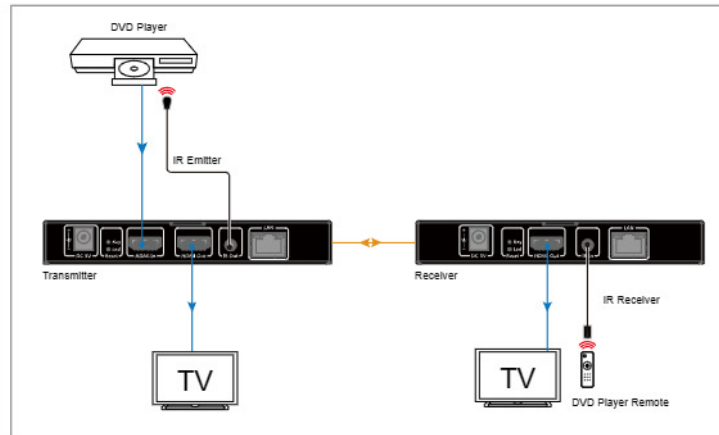
Note: Before installation, please ensure the device is disconnected from the power source.

1. Position and install the mounting brackets using the mounting screws provided.
2. Repeat step 1 for the other side of the device.
3. Attach the brackets to the surface you want to hold the device against using the screws (not included).

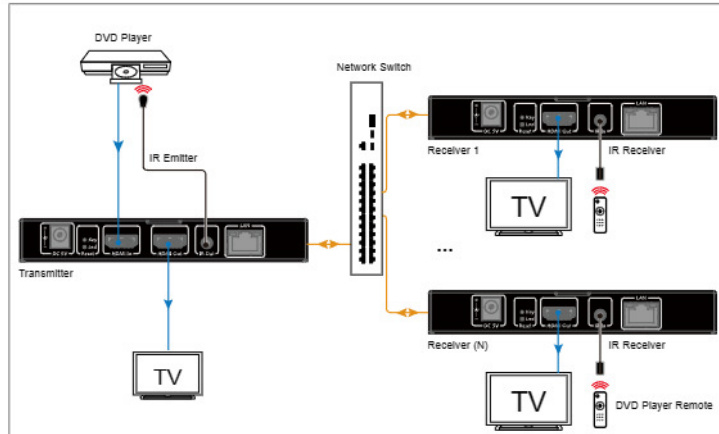


Application

(1) 1-1



(2) 1 - N



Note: One transmitter can be linked to N ($N \leq 10$) receivers in the same LAN.

Specifications

Technical

Input A/V Port	Transmitter: 1 x HDMI; Receiver: 1 x LAN
Input Resolutions	Up to 1080P@60Hz
Output A/V Port	Transmitter: 1 x HDMI, 1 x LAN; Receiver: 1 x HDMI
Output Resolutions	Up to 1080P@60Hz
Compliance	HDMI 1.3, HDCP 1.4
Transmission Distance	120m/394ft

General

Operating Temperature	+32°F ~ +113°F (0°C ~ +45°C), 10% ~ 90%, non-condensing
Storage Temperature	-4°F ~ 140°F (-20°C ~ +70°C), 10% ~ 90%, non-condensing
Power Supply	DC 5V 1A
Power Consumption	Transmitter: 3.5W (Max); Receiver: 1.6W (Max)
ESD Protection	Human body model: ±8kV (air-gap discharge)/±4kV (contact discharge)
Dimensions (W x H x D)	140mm x 21mm x 80mm/5.5" x 0.83" x 3.15" each for Transmitter and Receiver
Net Weight	Transmitter: 0.3kg/0.66lb; Receiver: 0.29kg/0.64lb